

## PLEASE REGISTER YOUR NEW PRODUCT

To register your product online please go to:

[www.hipeq.com/product-registration](http://www.hipeq.com/product-registration)

Product serial number is located on equipment or is shown in the box below

SERIAL NUMBER

If serial number is not shown  
please check equipment

# ROPEFLEX<sup>®</sup>

BLUETOOTH MODULE 

Installation Manual for PN: 40-3015-XX  
and Smart Device bracket PN: 40-6043  
Document: 32-3015

## IMPORTANT PRECAUTIONS

---

**⚠ WARNING:** To reduce the risk of serious injury, read the following important precautions before using this equipment.

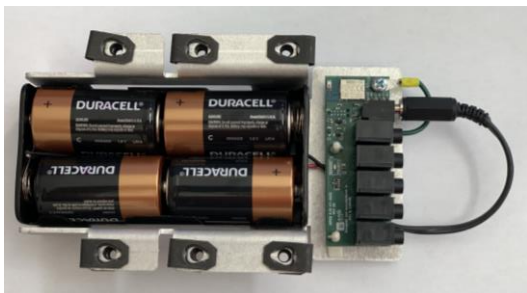
1. Read all instructions in this manual and assemble as described before using this equipment.
2. It is the responsibility of the owner to ensure that all users of this equipment are adequately informed of all precautions.
3. Use this equipment only on a level surface. Cover the floor beneath to protect the surface.
4. Keep children under 12 and pets away from the equipment at all times.
5. Make sure all parts are properly tightened each time you use this machine. Replace any worn parts immediately.
6. Make sure the adjustment knobs are fully engaged / disengaged before using the equipment.
7. Always wear athletic shoes for foot protection while exercising.
8. This equipment is designed to support a maximum user weight of 300 pounds.
9. Pull on one the rope only and never grab a rope in a way that prevents the drum from rotating. Never attempt to hang on the rope or frame. Pull rope with hands only.
10. If you feel pain or dizziness at any time while exercising, stop immediately and begin cooling down.

**⚠ WARNING:** Before beginning this or any exercise program, consult your physician. This is especially important for persons over the age of 35 or persons with pre-existing health problems. Read all instructions before using. HiPEQ assumes no responsibility for personal injury or property damage sustained by or through the use of this product.

## Connecting the Module

### HIPEQ BLUETOOTH MODULE COMES IN 3 CONFIGURATIONS

1. PN: 40-3015-02 – For the RX2500 with 4 C-type batteries or powered externally
2. PN: 40-3015-03 – For RX2100, RX2300, RX2100, RX2000, RX3200, RX3300 with 4 C-type batteries or powered externally
3. PN: 40-3015-04 – Universal Hipervision module, V3 with 4 C-type batteries or powered externally  
**NOTE:** installation of this module requires ROPEFLEX equipment with dedicated HIPERVISION battery port

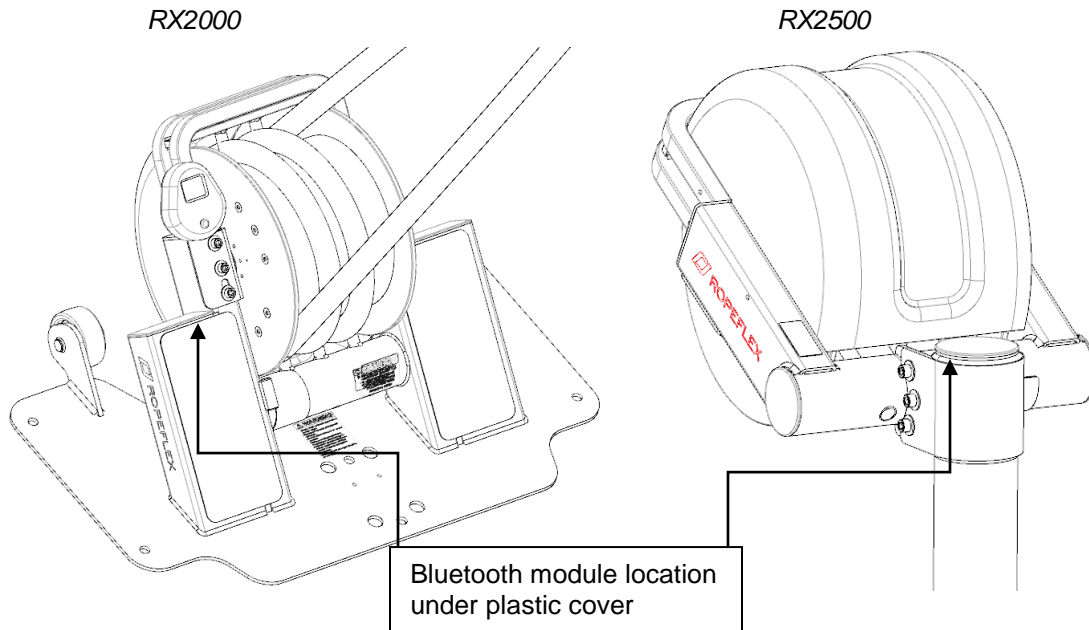


40-3015-04 – Universal Hipervision module

### INSTALLATION AND REMOVAL

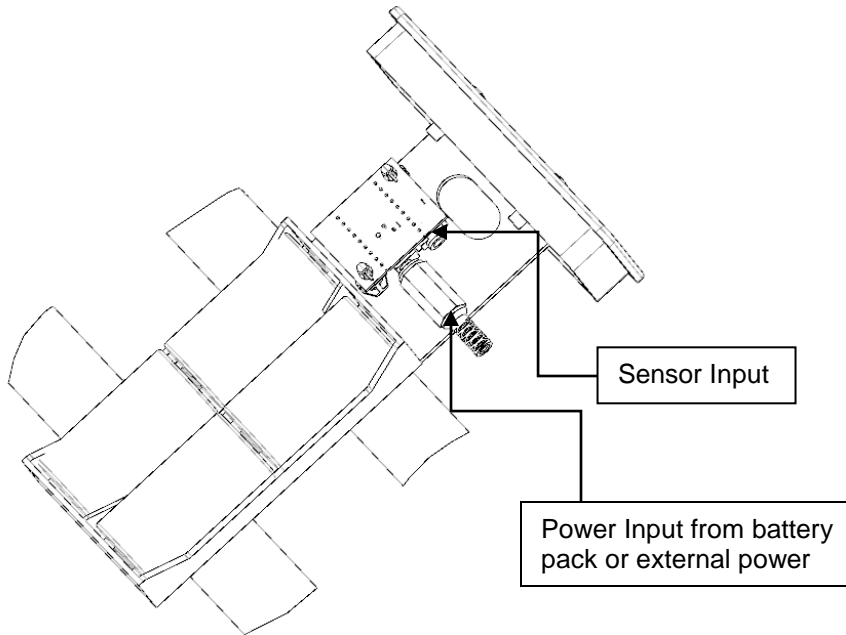
Depending on the training equipment model Bluetooth module maybe located in various locations. Below are 2 possible locations.

**NOTE:** Some configurations contain a screw that prevents the module from sliding out. Remove screws prior to module removal

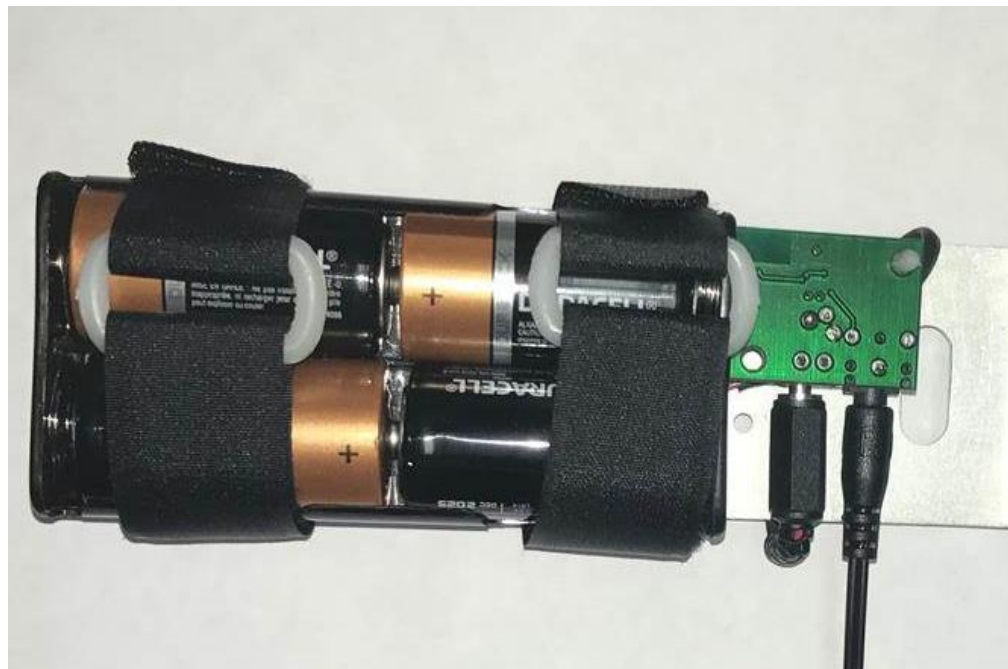


**POWER AND SIGNAL CONNECTIONS:**

Power is provided by either 4 C-Type batteries or an external power supply from 4 to 6 vdc. Undo Velcro straps to replace batteries. After new batteries are installed ensure that the straps are installed properly and tightened sufficiently to prevent batteries from falling out.

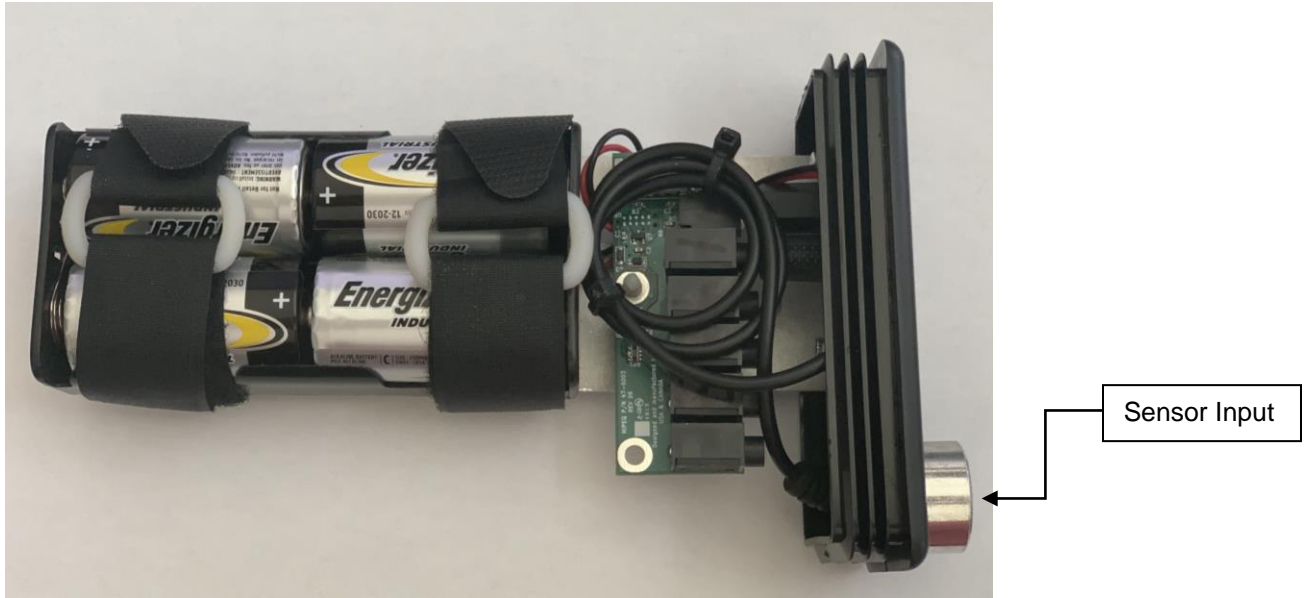


Battery Installation with straps



### HIPERVISION UPGRADE MODULE V2: 40-3015-03

Equipped with external sensor connector and can be combined with signal split patch cable (46-0080-01) for simultaneous operation of LCD display module and HIPERVISION Bluetooth module. Supports up to 4 external inputs (allows interactive races in HIPERVISION)

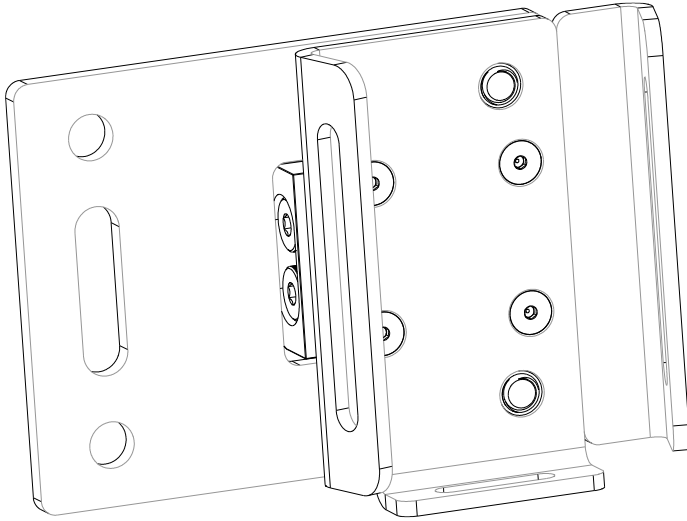


#### *46-0080-01– Sensor Patch Cable*

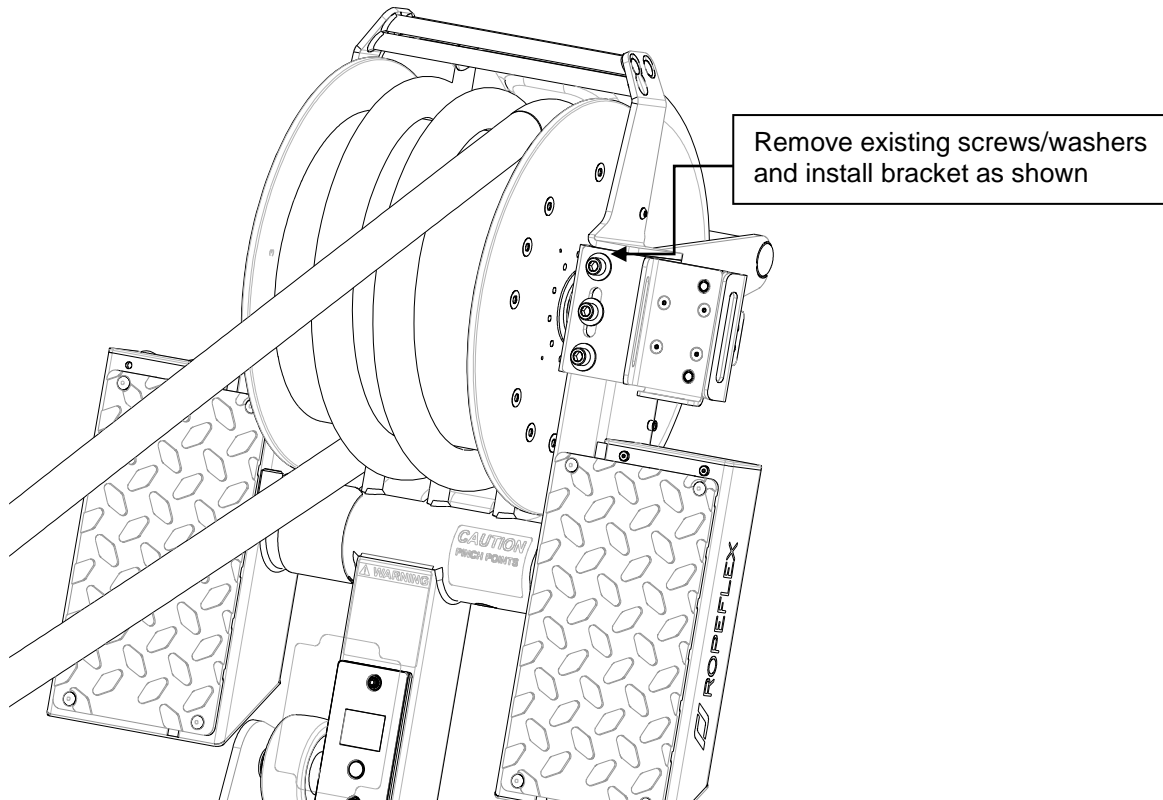
Connect speed sensor to female input of the Y-Cable. Connect any of the 2 male outputs of the Y-Cable to HIPERVISION module and remaining male output to LCD display.

**SMART DEVICE HOLDING BRACKET: 40-6043**

Sample installation shown below. Spring loaded clamping bracket can automatically adjust to various devices and securely hold them in place while in use.



40-6043 – Smart device clamping bracket



If you have any questions regarding HIPEQ equipment or any instruction found in this document, please call 650.549.5888 for assistance.

HIPEQ  
100 GLENN WAY, UNIT 5  
San Carlos, CA 94070  
U.S.A